

CT series round cylinders allows the possibility to combine bigger bores, while keeping dimensions smaller than a square cylinder. Both ends of CT's round cylinders are fixed to the tubes thanks to a rolling process. They are available in different versions from diameter 32 to 63 mm: single or double acting, magnetic, cushioned. Fixing accessories are available and special executions can be carried out.

La tête et le fond du vérin rond Air Work sont sertis sur le tube et sont disponibles dans différentes versions: simple et double effet, magnétique, amorti. Les accessoires de fixations sont nombreux et il est possible d'avoir des exécutions spéciales sur demande.

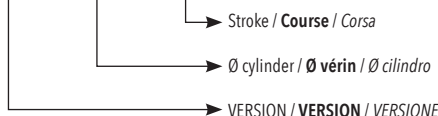
I cilindri rotondi della serie CT, consentono la possibilità di combinare diametri più grande, mantenendo ingombri più contenuti dei cilindri a sezione quadrata. Le testate dei cilindri tondi di Air Work sono fissate alla camicia mediante rullatura e sono realizzabili in differenti versioni dal diametro 32 al 63 mm: semplice e doppio effetto, magnetici, ammortizzati.

Sono inoltre disponibili i relativi accessori di fissaggio ed esecuzioni speciali a disegno.



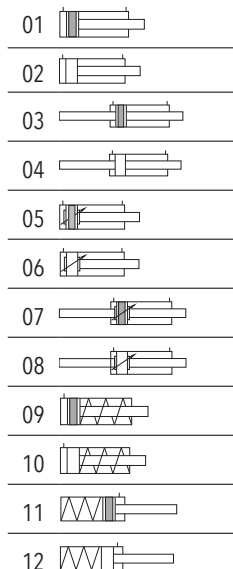
ORDERING CODE / **CODIFICATION** / **CHIAVE DI CODIFICA**

C T 0 0 1 0 0 0 0 0 0



- 01=double acting magnetic / **double effet magnétique** / *doppio effetto magnetico*
- 02= double acting not magnetic / **double effet non magnétique** / *doppio effetto non magnetico*
- 03= d.a. through rod magnetic / **d.e. tige traversante magnétique** / *d.e. stelo passante magnetico*
- 04= d.a. through rod not magnetic / **d.e. tige traversante non magnétique** / *d.e. stelo passante non magnetico*
- 05= d.a. with cushioned magnetic / **d.e. amorti magnétique** / *d.e. con ammortizzo magnetico*
- 06= d.a. with cushioned not magnetic / **d.e. amorti non magnétique** / *d.e. con ammortizzo non magnetico*
- 07= d.a. through rod magnetic / **d.e. tige traversante amorti magnétique** / *d.e. stelo passante con ammortizzo magnetico*
- 08= d.a. through rod not magnetic / **d.e. tige traversante amorti non magnétique** / *d.e. stelo passante con ammortizzo non mag.*
- 09= single acting front spring magnetic / **simple effet tige rentrée magnétique** / *semplice effetto molla anteriore magnetico*
- 10= single acting front spring not magnetic / **simple effet tige rentrée non magnétique** / *semplice effetto molla anteriore non mag.*
- 11= single acting rear spring magnetic / **simple effet tige sortie magnétique** / *semplice effetto molla posteriore magnetico*
- 12= single acting rear spring not magnetic / **simple effet tige sortie non magnétique** / *semplice effetto molla posteriore non mag.*

VERSION / **VERSIONE** / **VERSION**



STANDARD STROKES / **COURSE STANDARD** / **CORSE STANDARD**

Double acting / **Double effet** / *Doppio effetto*

- Ø32** mm 25-50-80-100-125-160-200-250-320-400-500
- Ø40** mm 25-50-80-100-125-160-200-250-320-400-500
- Ø50** mm 25-50-80-100-125-160-200-250-320-400-500
- Ø63** mm 25-50-80-100-125-160-200-250-320-400-500

Single acting / **Simple effet** / *Semplice effetto*

- Ø32** mm 10-25-50
- Ø40** mm 10-25-50
- Ø50** mm 10-25-50
- Ø63** mm 10-25-50

TECHNICAL DATA / **DONNÉES TECHNIQUES** / **DATI TECNICI**

Fluid / **Fluide** / *Fluido*

Lubricated or non lubricated air / **Air lubrifié ou non lubrifié** / *Aria con o senza lubrificazione*

Operating temperature range / **Température d'utilisation** / *Temp. di esercizio*

-20°C / +80°C

Max operating pressure / **Pression maximum** / *Pressione massima di esercizio*

10 bar

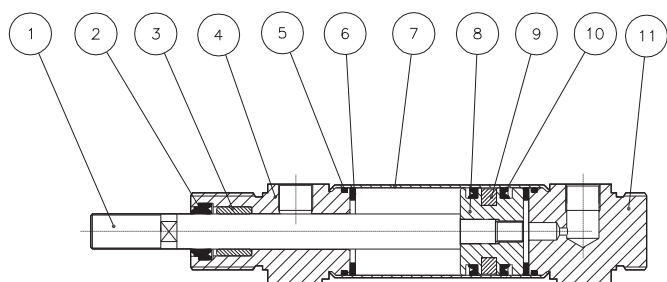
Force / **Force** / *Forze sviluppate*

Technical informations page / **Page informations techniques** / *Pagina dati tecnici*

Air consumption / **Consommation d'air** / *Consumo aria*

Technical informations page / **Page informations techniques** / *Pagina dati tecnici*

COMPONENTS / **COMPOSANTS** / **COMPONENTI**



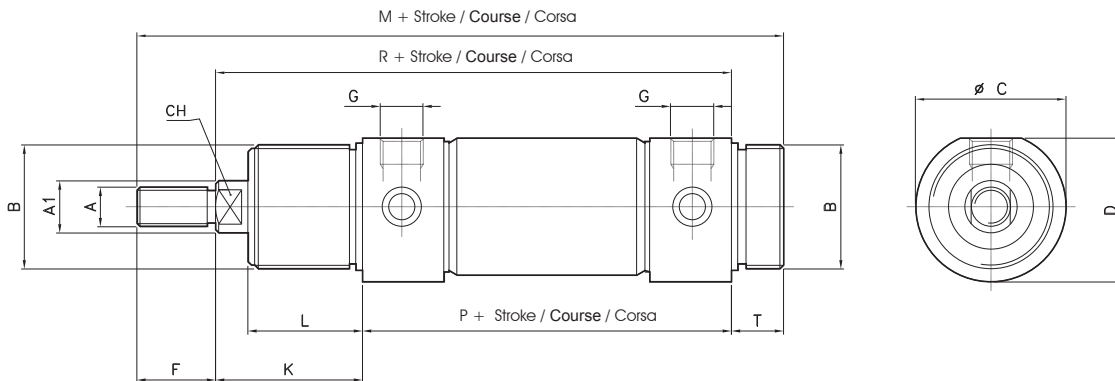
pos. description / description / <i>descrizione</i>	material / matière / <i>materiale</i>
1 rod / tige / <i>stelo</i>	stainless steel AISI 303 / acier AISI 303 / <i>acciaio inox 303</i>
2 rod seal / joins tige / <i>guarnizione stelo</i>	polyurethane / polyuréthane / <i>poliuretano</i>
3 guide bush / bague guidage / <i>bussola guida</i>	bronze / bronze / <i>bronzo</i>
4 front cap / fond antérieur / <i>testata anteriore</i>	aluminium / aluminium / <i>alluminio</i>
5 o-ring / joint torique	NBR
6 bumper / butoir / <i>paracolpo</i>	NBR
7 tube / tube / <i>tube</i>	stainless steel AISI 304 / acier AISI 304 / <i>acciaio inox 304</i>
8 piston / piston / <i>pistone</i>	brass / laiton / <i>ottone</i>
9 magnet / aimant / <i>magnete</i>	plastroferrite
10 seal piston / joins piston / <i>guarnizione pist.</i>	polyurethane / polyuréthane / <i>poliuretano</i>
11 rear cap / fond postérieur / <i>testata post.</i>	aluminium / aluminium / <i>alluminio</i>

Double acting
Double effet
Doppio effetto

CODE: CT011.Ø.mm



CODE: CT021.Ø.mm



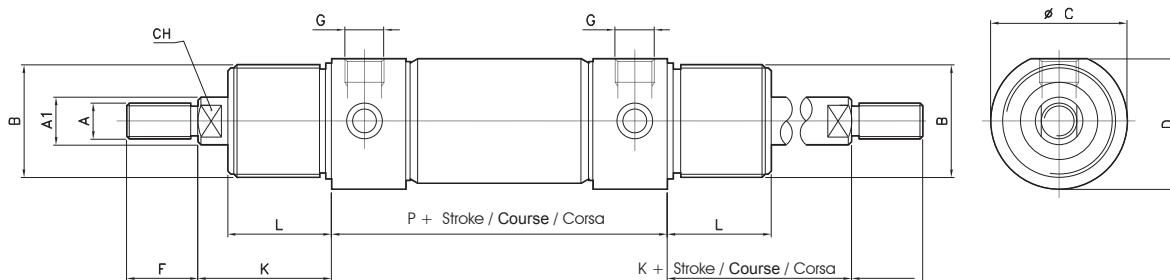
Ø	A	A1	B	C	D	F	G	K	L	M	P	R	T	CH
32	M10x1.25	12	M30x1.5	38	36.5	20	1/8" GAS	38	30	168	96	134	14	10
40	M12x1.25	16	M38x1.5	46	44	24	1/4" GAS	45	35	198	113	158	16	12
50	M16x1.5	20	M45x1.5	57	55	32	1/4" GAS	50	38	220	120	170	18	16
63	M16x1.5	20	M45x1.5	70	67.5	32	3/8" GAS	50	38	224	124	174	18	16

Double acting through rod
Double effet tige traversante
Doppio effetto stelo passante

CODE: CT031.Ø.mm



CODE: CT041.Ø.mm



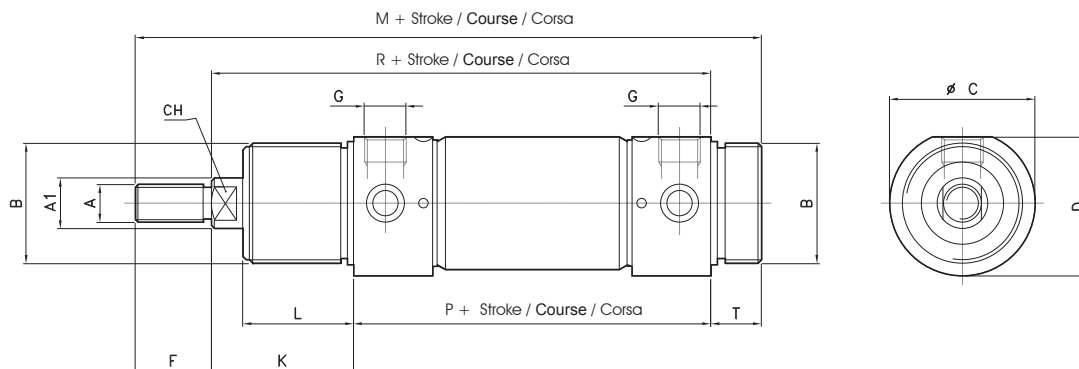
Ø	A	A1	B	C	D	F	G	K	L	P	CH
32	M10x1.25	12	M30x1.5	38	36.5	20	1/8" GAS	38	30	96	10
40	M12x1.25	16	M38x1.5	46	44	24	1/4" GAS	45	35	113	12
50	M16x1.5	20	M45x1.5	57	55	32	1/4" GAS	50	38	120	16
63	M16x1.5	20	M45x1.5	70	67.5	32	3/8" GAS	50	38	124	16

Double acting with cushioning
Double effet amorti
Doppio effetto con ammortizzo

CODE: CT051.Ø.mm



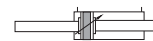
CODE: CT061.Ø.mm



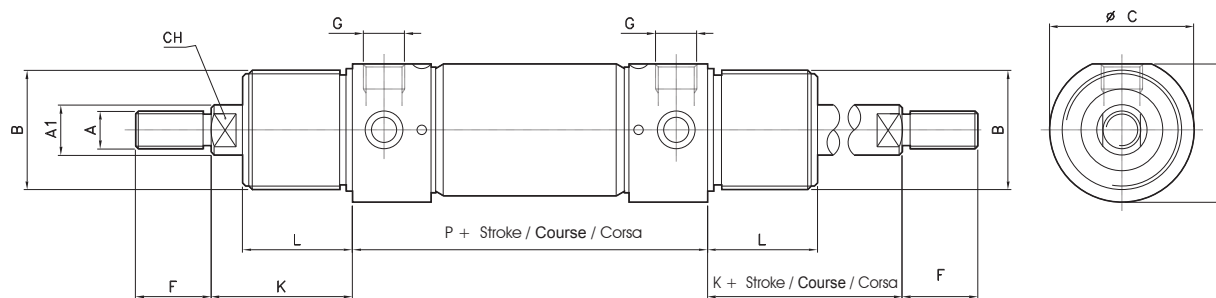
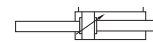
Ø	A	A1	B	C	D	F	G	K	L	M	P	R	T	CH
32	M10x1.25	12	M30x1.5	38	36.5	20	1/8" GAS	38	30	168	96	134	14	10
40	M12x1.25	16	M38x1.5	46	44	24	1/4" GAS	45	35	198	113	158	16	12
50	M16x1.5	20	M45x1.5	57	55	32	1/4" GAS	50	38	220	120	170	18	16
63	M16x1.5	20	M45x1.5	70	67.5	32	3/8" GAS	50	38	224	124	174	18	16

Double acting through rod with cushioning
Double effet tige traversante amorti
Doppio effetto asta passante con ammortizzo

CODE: CT071.Ø.mm



CODE: CT081.Ø.mm



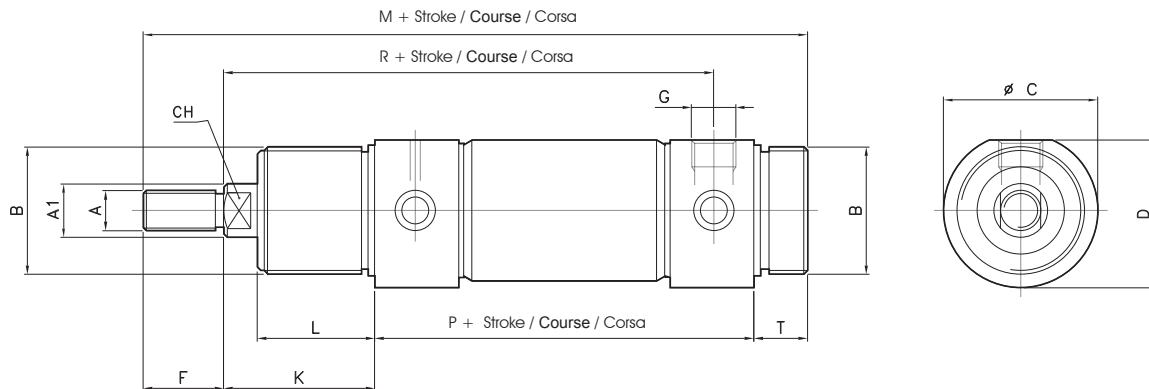
Ø	A	A1	B	C	D	F	G	K	L	P	CH
32	M10x1.25	12	M30x1.5	38	36.5	20	1/8" GAS	38	30	96	10
40	M12x1.25	16	M38x1.5	46	44	24	1/4" GAS	45	35	113	12
50	M16x1.5	20	M45x1.5	57	55	32	1/4" GAS	50	38	120	16
63	M16x1.5	20	M45x1.5	70	67.5	32	3/8" GAS	50	38	124	16

Single acting front spring
Simple effet ressort avant
Semplice effetto molla anteriore

CODE: CT091.Ø.mm



CODE: CT101.Ø.mm



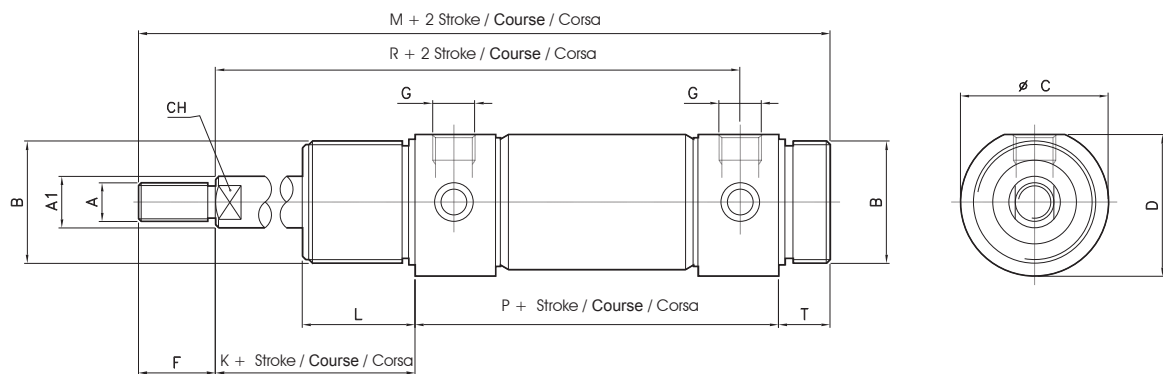
Ø	A	A1	B	C	D	F	G	K	L	M	P	R	T	CH
32	M10x1.25	12	M30x1.5	38	36.5	20	1/8" GAS	38	30	168	96	134	14	10
40	M12x1.25	16	M38x1.5	46	44	24	1/4" GAS	45	35	198	113	158	16	12
50	M16x1.5	20	M45x1.5	57	55	32	1/4" GAS	50	38	220	120	170	18	16
63	M16x1.5	20	M45x1.5	70	67.5	32	3/8" GAS	50	38	224	124	174	18	16

Single acting rear spring
Simple effet ressort arrière
Semplice effetto molla posteriore

CODE: CT111.Ø.mm



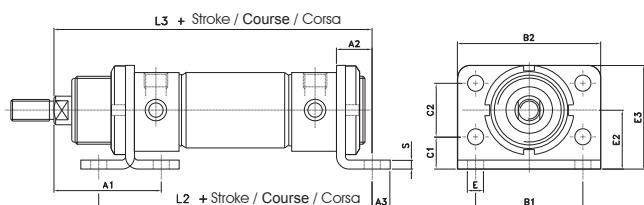
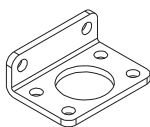
CODE: CT121.Ø.mm



Ø	A	A1	B	C	D	F	G	K	L	M	P	R	T	CH
32	M10x1.25	12	M30x1.5	38	36.5	20	1/8" GAS	38	30	168	96	125	14	10
40	M12x1.25	16	M38x1.5	46	44	24	1/4" GAS	45	35	198	113	146	16	12
50	M16x1.5	20	M45x1.5	57	55	32	1/4" GAS	50	38	220	120	158	18	16
63	M16x1.5	20	M45x1.5	70	67.5	32	3/8" GAS	50	38	224	124	163	18	16

PEDESTAL
EQUERRE
PIEDINO

Material: Steel
Matière: Acier
Materiale: Acciaio

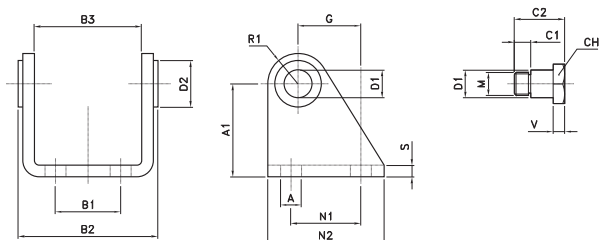
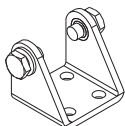


CODE	Ø
AR4202032	32
AR4202040	40
AR4202050	50
AR4202063	63

Ø	A1	A2	A3	B1	B2	C1	C2	E	E2	E3	L2	L3	S
32	48	14	7	52	66	14	28	7	28	49	124	148	4
40	60	20	10	60	80	18	30	9	33	58	153	178	5
50	64	20	10	70	90	20	40	9	40	70	160	190	6
63	65	20	10	76	96	20	50	9	45	80	164	195	6

FEMALE HINGE
CHARNIERE FEMELLE
CERNIERA FEMMINA

Material: Steel
Matière: Acier
Materiale: Acciaio

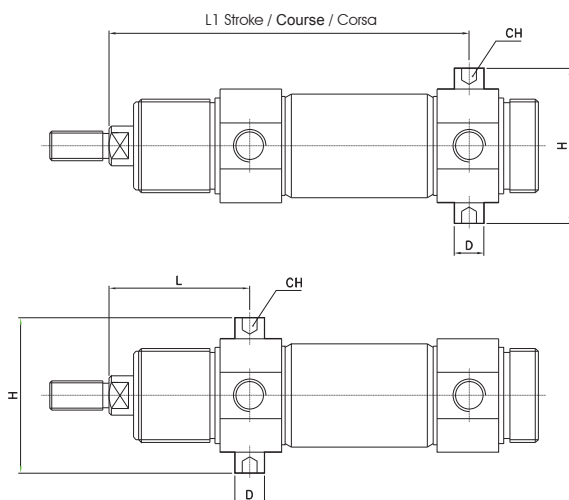


CODE	Ø
AR4203032	32
AR4203040	40
AR4203050	50
AR4203063	63

Ø	D1	D2	A	A1	B1	B2	B3	G	N1	N2	R1	S	C1	C2	CH	V	M
32	10	15	7	35	20	50.1	38.1	20	24	40	12	4	6	18	13	4	M8x1
40	12	20	9	40	28	60.1	46.1	27	30	50	13	5	7	21.6	17	5	M10x1
50	14	23	9	45	36	74.1	57.1	30	34	54	14	6	9	26.4	19	6	M12x1.5
63	16	23	9	50	42	88.1	70.1	34	35	65	16	6	15	34	19	6	M14x1.5

PIVOTS FOR HINGE
AXE POUR ARTICULATION
PERNI PER CERNIERA

Material: Steel
Matière: Acier
Materiale: Acciaio

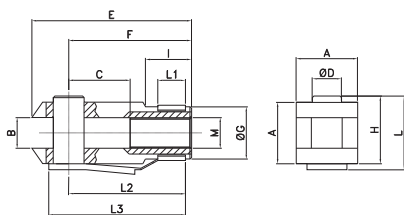
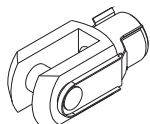


CODE	Ø
AR4204032	32
AR4204040	40
AR4204050	50
AR4204063	63

Ø	D	CH	H	L	L1
32	10	5	51	47	125
40	12	6	61	57	146
50	14	6	75	62	158
63	16	8	90	64	161

YOKE WITH CLIPS
CHAPE DE TIGE
FORCELLA CON CLIPS

Material: Steel
Matière: Acier
Materiale: Acciaio

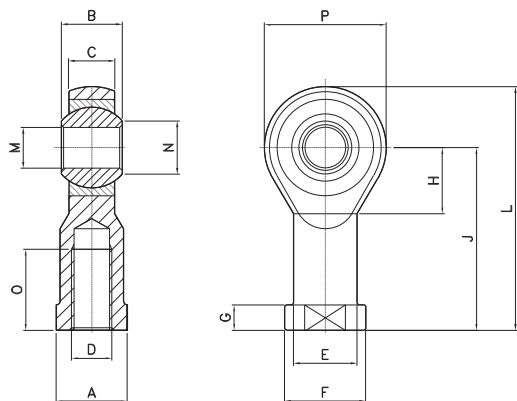


CODE	Ø
AR40673	32
AR40674	40
AR40675	50-63

Ø	A	B	C	D	E	F	G	H	I	M	L	L1	L2	L3
32	20	10	20	10	52	40	18	23	15	M10x1.25	26	10	39	46
40	24	12	24	12	62	48	20	28	18	M12x1.25	32	12	47	55
50-63	32	16	32	16	83	64	26	36	24	M16x1.5	40	14	62	72

ROD ENDS
CHAPE DE TIGE ROTULEE
TESTA SNODO

Material: Steel
Matière: Acier
Materiale: Acciaio

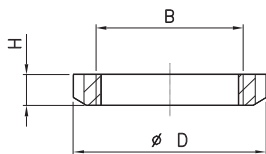


CODE	Ø
AR40660	32
AR40662	40
AR40665	50-63

Ø	A	B	C	D	E	F	G	H	J	L	M	N	O	P
32	17	14	10.5	M10x1.25	15	19	6.5	15	43	57	10	12.9	20	28
40	19	16	12	M12x1.25	17.5	22	6.5	17	50	66	12	15.4	22	32
50-63	22	21	15	M16x1.5	22	27	8	23	64	85	16	19.3	28	42

NUT
ECROU DE NEZ
GHIERA

Material: Steel
Matière: Acier
Materiale: Acciaio

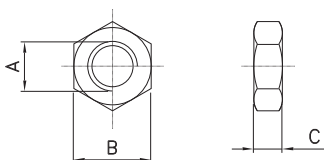


CODE	Ø
AR4205032	32
AR4205040	40
AR4205050	50-63

Ø	B	D	H
32	M30x1.5	45	7
40	M38x1.5	50	8
50	M45x1.5	58	9
63	M45x1.5	58	9

NUT FOR ROD
ECROU POUR TIGE
DADO PER STELO

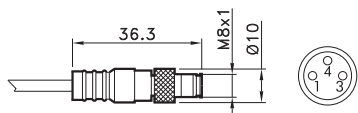
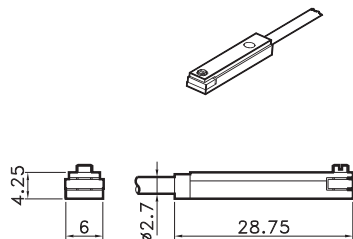
Material: Steel
Matière: Acier
Materiale: Acciaio



CODE	Ø
DAD10x1.25	32
DAD12x1.25	40
DAD16x1.25	50-63

Ø	A	B	C
32	M10x1.25	17	8
40	M12x1.25	19	6
50-63	M16x1.5	22	6

T SWITCH
CAPTEUR EN T
SENSORE AT



4= black / **noire** / nero
1= brown / **brun** / marrone
3= blue / **bleu** / azzurro

CODE

AR4023010 REED (MT.2,5) / **REED (MT.2,5)** / REED (MT.2,5)

AR4023020 HALL (MT.2,5) / **HALL (MT.2,5)** / HALL (MT.2,5)

AR4023110 REED + M8 (CM 30) / **REED + M8** / REED + M8 (CM 30)

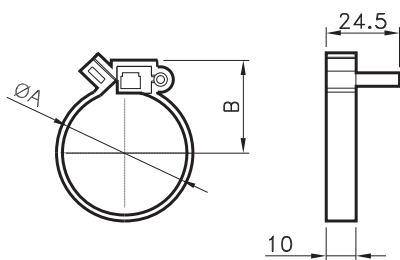
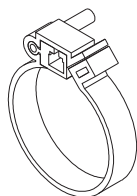
AR4023120 HALL + M8 (CM 30) / **HALL + M8** / HALL + M8 (CM 30)

For technical data see page 1.62

Pour les données techniques, voir page 1.62

Per i dati tecnici vedere pag. 1.62

ADAPTOR FOR T SWITCH
ADAPTATEUR CAPTEUR EN T
ADATTATORE SENSORE AT



CODE Ø

AR4199032 32

AR4199040 40

AR4199050 50

AR4199063 63

Ø	A	B
32	33.6	27
40	41.6	31
50	52.4	37
63	65.4	42